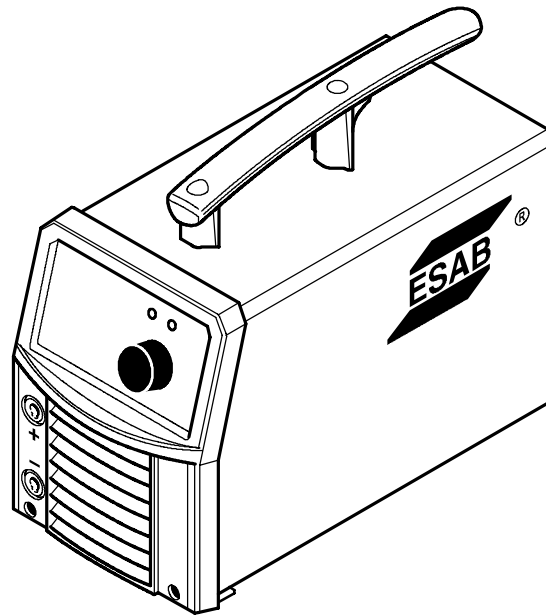




## Spare parts list

Edition 060831



**Valid for serial no. 316-xxx-xxxx, 328-xxx-xxxx, 341-xxx-xxxx, 402-xxx-xxxx, 405-xxx-xxxx, 620-xxx-xxxx**

The OrigoArc 150 and OrigoArc 200 power sources are renamed:

<b>New name</b>	<b>Old name</b>
Origo™ Arc 150i	OrigoArc 150
Origo™ Arc 200i	OrigoArc 200

### **Ordering no. Product**

0459 200 880	Origo™ Arc 150i, A32 for 230 V mains voltage
0459 200 886	Origo™ Arc 150, A32 for 230 V mains voltage, Australian version
0459 200 890	Origo™ Arc 150, A32 for 230 V mains voltage, North American version
0459 200 888	Origo™ Arc 200, A32 for 230 V mains voltage

Spare parts are to be ordered through the nearest ESAB agency. Kindly indicate type of unit, serial number, denominations and ordering numbers according to the spare parts list.

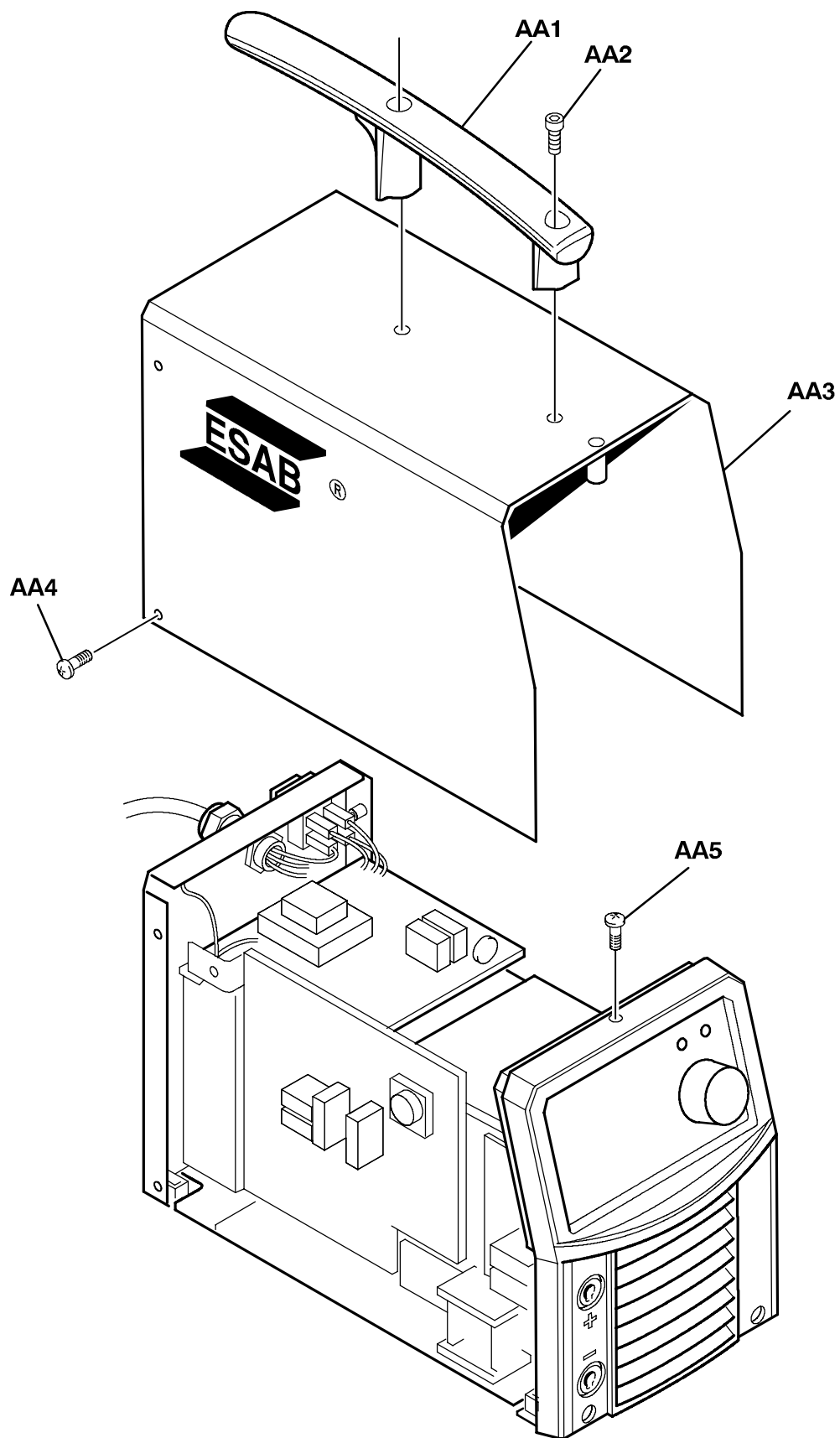
Maintenance and repair work should be performed by an experienced person, and electrical work only by a trained electrician. Use only recommended spare parts.

Rights reserved to alter specifications without notice.

**Origo Arc 150i, Origo Arc 200i, OrigoArc 150, OrigoArc 200**

**C = component designation in the circuit diagram**

<b>Item</b>	<b>Qty</b>	<b>Ordering no.</b>	<b>Denomination</b>	<b>Notes</b>	<b>C</b>
AA1	1	0459 119 001	Handle		
AA2	2		Screw	M8x50	
AA3	1	0459 173 001	Cover		
AA4	4		Screw	M5x12	
AA5	1		Screw	M5x16 Included in item AB51, see page 4.	



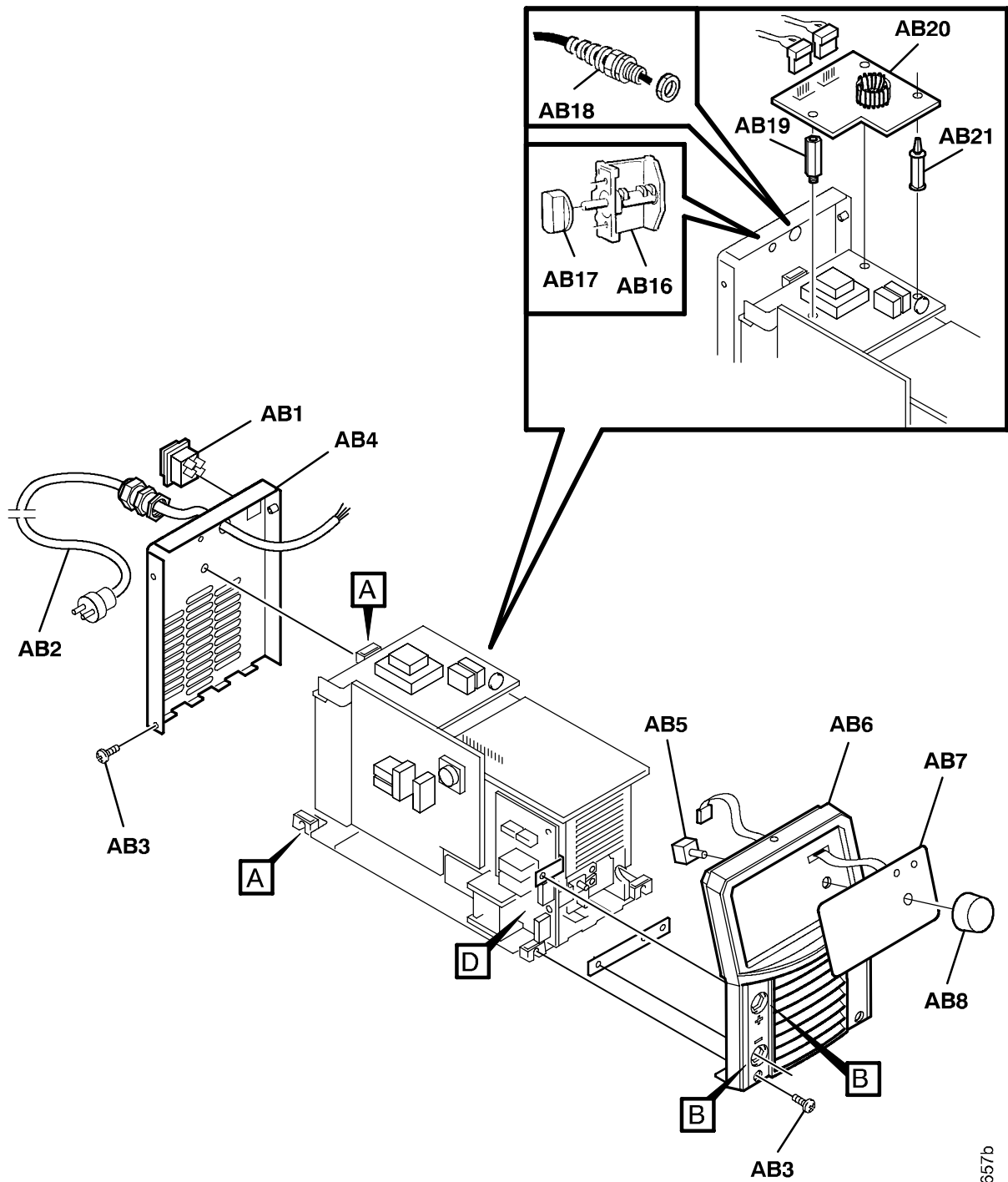
AH 0627

**C = component designation in the circuit diagram**

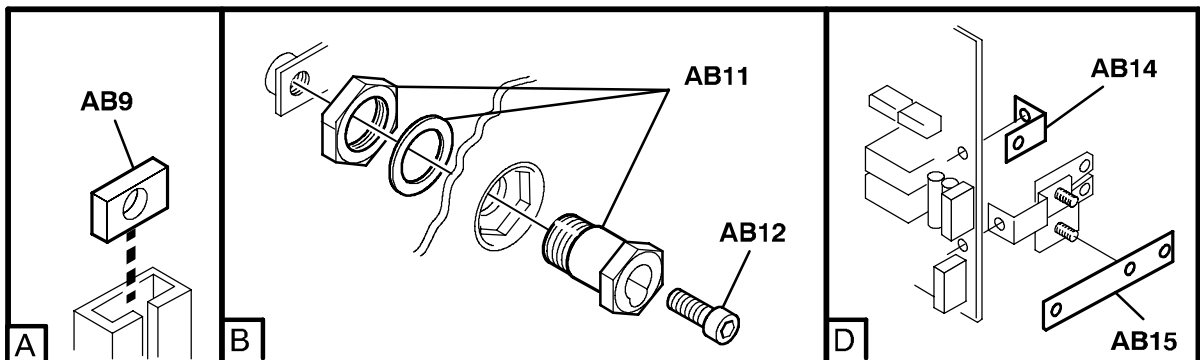
Item	Qty 150	Qty 200	Ordering no.	Denomination	Notes	C
AB1	1		0193 317 001	Switch	Included in item AB50	2QF1
AB2	1			Cord set	Included in item AB50	
AB3				Screw	Included in item AB51	
AB4	1		0459 174 001	Rear panel		20RP1
		1	0459 430 001	Rear panel		
AB5	1	1	0193 995 502	Potentiometer	3 pole socket 20XS6 and wires included. Included in item AB51	
AB6	1	1		Front panel	Included in item AB51	1D1, 1D2, 1XS1
AB7	1	1		Control panel	Included in item AB51	
AB8	1	1	0193 603 104	Knob	Included in item AB51	
AB9	5	5	0366 588 001	Nut		29XS1, 29XS2
AB11	2	2	0366 306 883	Connector OKC 25	Included in item AB51	
AB12	2	2		Screw	M5x12 Torx. Included in item AB51	
AB14	1	1	0459 194 003	Busbar, positive		2QF1
AB15	1	1	0459 194 002	Busbar, negative		
AB16		1	0366 295 003	Switch	Included in item AB52	
AB17		1	0366 296 003	Knob	Included in item AB52	
AB18		1		Cord set	Included in item AB52	
AB19		1		Spacer	included in item AC1	
AB20		1	0487 023 880	EMC board	Suppression board	
AB21		1	0192 790 111	Spacer		

**SPARE PARTS SETS**

Item	Qty 150	Qty 200	Ordering no.	Denomination	Notes
AB50	1		0459 183 880	Mains module	Includes items: AB1 switch, AB2 mains cable with plug, cable clamp and two ferrite rings 2L1.
	1		0459 183 882	Mains module	Australian version, includes items: AB1 switch, AB2 mains cable with plug for Australia, cable clamp and two ferrite rings 2L1.
	1		0459 183 883	Mains module	North American version, includes items: AB1 switch, AB2 mains cable with plug, cable clamp and two ferrite rings 2L1.
AB51	1		0459 386 880	Front complete, MMA	Includes items: AA5, AB3, AB5, AB6, AB7, AB8, AB11, AB12
		1	0459 386 882	Front complete, MMA	Includes items: AA5, AB3, AB5, AB6, AB7, AB8, AB11, AB12
	1		0459 386 883	Front complete, MMA	North American version, includes items: AA5, AB3, AB5, AB6, AB7, AB8, AB11, AB12
AB52		1	0459 183 881	Mains module	Includes items: AB16 switch, AB17 knob, AB18 mains cable, cable clamp and one ferrite ring 2L1.



AH 0657b

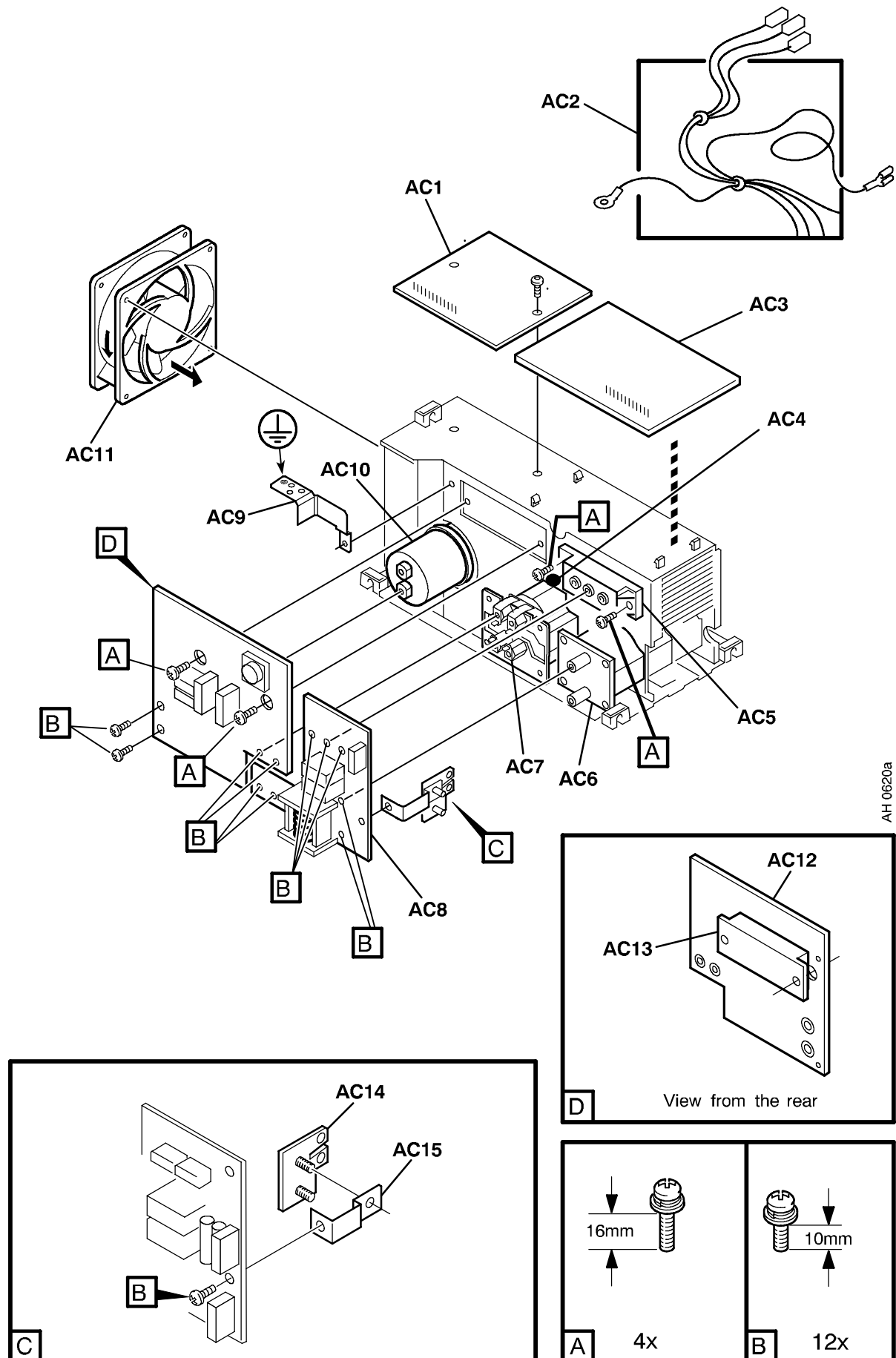


**C = component designation in the circuit diagram**

Item	Qty 150	Qty 200	Ordering no.	Denomination	Notes	C
AC1	1		0487 045 880	Power supply board		2AP1
		1	0487 045 882	Power supply board		2AP1
AC2	1		0459 280 880	Cable set	Including wires 1501, 1502 and their sockets	15XS1, 15XS2, 15XS7, 15XS8
		1	0459 280 888	Cable set	Including wires 1501, 1502, 1505, 1506 and their sockets	15XS1, 15XS2, 15XS7, 15XS8
		1	0459 280 889	Cable set	Wires 201, 202, 205, 206 and their sockets	2XS1
	1	1	0193 700 702	Cable set		20XS3, 20XS4
	1	1	0459 280 881	Cable set		20XS1, 20XS2, 20XS5
AC3	1		0487 005 880	Control board		20AP1
		1	0487 005 890	Control board		20AP1
AC4	1		0468 940 004	Thermal switch	Socket connector 15XS5 included	15ST2
		1	0468 940 005	Thermal switch	Socket connector 15XS5 included	15ST2
AC5	1	1		Diode module	See item AC50	15D1
AC6	1	1	0459 177 001	Inductor		15L1
AC7	1	1	0459 355 880	Transformer	Includes: main transformer, socket 15XS4, socket 15XS6, thermal switch 15ST1	15TM1
AC8			0487 060 880	Secondary board		15AP2
AC9	1	1	0459 273 001	Earth bracket		
AC10	1		0194 158 001	Capacitor	1000 uF 400 V DC	15C1
		1	0194 158 002	Capacitor	2000 uF 400 V DC	15C1
AC11	1		0467 801 002	Fan	24 V DC; With cables and socket 15XS3	15EV1
AC11		1	0458 065 002	Fan	24 V DC; With cables and socket 15XS3	15EV1
AC12	1	1		Circuit board	See item AC51	15AP1
AC13	1	1		Semiconductor module	See item AC51	
AC14	1	1	0468 030 880	Shunt		15RS1
AC15	1	1	0459 194 001	Busbar		

**SPARE PARTS SETS**

Item	Qty 150	Qty 200	Ordering no.	Denomination	Notes
AC50	1		0459 385 880	Diode module kit	Includes: item AC5 diode module, screws (type A and B), thermal compound and roller.
		1	0459 385 881	Diode module kit	Includes: item AC5 diode module, screws (type A and B), thermal compound and roller.
AC51	1		0459 384 880	Power board kit	Includes: item AC12 power board, item AC13 semiconductor module, screws (type A and B), thermal compound and roller.
		1	0459 384 881	Power board kit	Includes: item AC12 power board, item AC13 semiconductor module, screws (type A and B), thermal compound and roller.
-			0458 910 002	Roller handle	For the roller in the spare parts sets above
-			0192 058 101	Thermal compound	



AH 0620a

