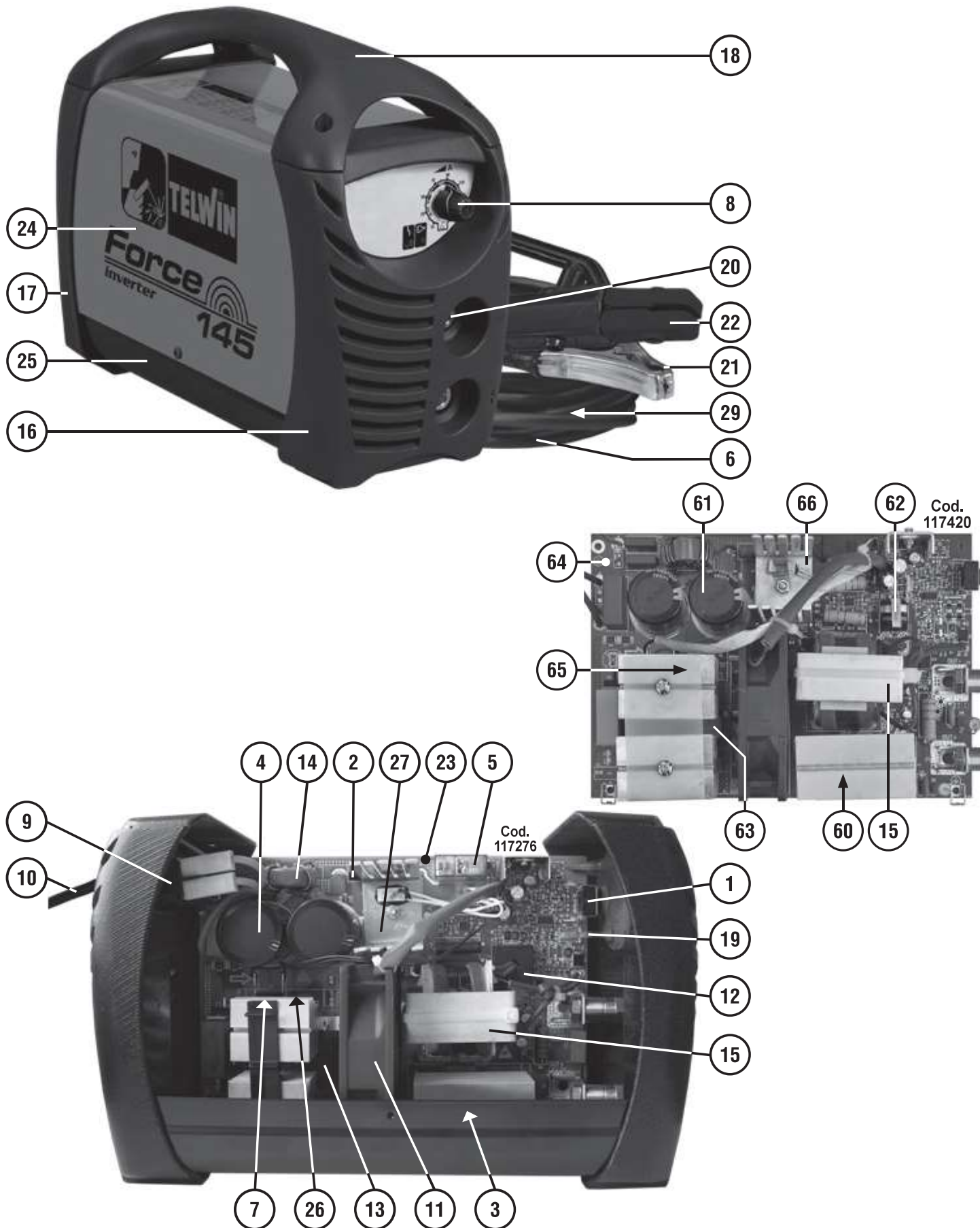


ELENCO PEZZI DI RICAMBIO  
 LISTE PIECES DETACHEES  
 SPARE PARTS LIST  
 ERSATZTEILLISTE  
 PIEZAS DE REPUESTO

# FORCE 145



Esplodo macchina, Dessin appareil, Machine drawing, Explosions Zeichnung des Geräts, Diseño seccionado maquina.



REF.	ELENCO PEZZI DI RICAMBIO PIECES DETACHEES SPARE PARTS LIST ERSATZTEILLISTE PIEZAS DE REPUESTO	CODICE CODE KODE
1	Potenzimetro Potentiometre Potentiometer Potentiometer Potenciometro	112017
2	Resistenza Resistance Resistance Widerstand Resistencia	112048
3	Kit Diodi Kit Diodes Diode Kit Diode Kit Kit Diodo	981332
4	Condensatore Condensateur Capacitor Kondensator Capacitor	112514
5	Rele' 24Vdc 17Ma 250V 16A 1No Relais 24Vdc 17Ma 250V 16A 1No Relais 24Vdc 17Ma 250V 16A 1No Relais 24Vdc 17Ma 250V 16A 1No Conectador 24Vdc 17Ma 250V 16A 1No	116738
6	Cavo 16 Mmq 1,8 M - Dinse 25 Cable 16 Mmq 1,8 M - Dix 25 Cable 16 Mmq 1,8 M - Dinse 25 Kabel 16 Mmq 1,8 M - Dinse 25 Cable 16 Mmq 1,8 M - Dinse 25	124508
7	Termostato Thermostat Thermostat Thermostat Termostato	121249
8	Manopola Poignee Knob Griff Manija	121395
9	Interruttore Interrupteur Switch Schalter Interruptor	122381
10	Cavo Alim. 3G1.5 2 M Spina Schuko Cable Alim. 3G1.5 2 M Fiche Schuko Mains Cable 3G1.5 2 M Schuko Plug Netzkabel 3G1.5 2 M Schuko Stecker Cable Alim. 3G1.5 2 M Espina Schuko	132155
11	Ventilatore Ventilateur Fan Ventilator Ventilador	152901
12	Trasformatore Di Corrente Transformateur De Courant Current Transformer Stromwandler Transformador De Corriente	152230
13	Trasformatore Impulsi Transformateur Pulsee Pulse Transformer Pulse Transformator Transformador Pulsado	152247

REF.	ELENCO PEZZI DI RICAMBIO PIECES DETACHEES SPARE PARTS LIST ERSATZTEILLISTE PIEZAS DE REPUESTO	CODICE CODE KODE
14	Induttanza Filtro Inductance Filter Filter Inductance Filter Drossel Induccion Filtro	164741
15	Trasformatore Potenza Transformateur De Puissance Power Trafo Leistungstransformer Transformador De Potencia	169631
16	Frontale Partie Frontal Front Panel Geraetefront Frontal	322893
17	Retro Partie Arriere Back Panel Rueckseite Trasera	322894
18	Manico Poignee Handle Handgriff Manija	322895
19	Guida Luce Guide Guide Guide Führung Guia	322898
20	Presa Dinse Dx 25 Prise Dix Dx 25 Dinse Socket Dx 25 Dinse Steckdose Dx 25 Enchufe Dinse Dx 25	712000
21	Colorado 150B Pinza Di Massa 150A Colorado 150B Pince De Masse 150A Colorado 150B Work Clamp 150A Colorado 150B Masseklemme 150A Colorado 150B Pinza De Masa 150A	712001
22	Dallas 300 Pinza Portaelettrodi 300A Dallas 300 Pince Porte-electrodes 300A Dallas 300 Electrode Holder 300A Dallas 300 Elektrodenhalter 300A Dallas 300 Pinza Portaelectrodos 300A	712260
23	Kit Scheda Completa/ Eu Kit Fiche Complete/ Eu Complete Pcb Kit/ Eu Komplette Karte Kit/ Eu Kit Tarjeta Completa/ Eu	980781
24	Kit Mantello Kit Capot Cover Kit Deckelkit Kit Panel De Cobertura	980784
25	Kit Fondo Kit Chassis Bottom Kit Bodenteil Kit Kit Fondo	980786
26	Kit Igbt + Diode Kit Igbt + Diode Igbt + Diode Kit Igbt + Diode Kit Kit Igbt + Diode	980789

REF.	ELENCO PEZZI DI RICAMBIO PIECES DETACHEES SPARE PARTS LIST ERSATZTEILLISTE PIEZAS DE REPUESTO	CODICE CODE KODE
27	Kit Ponte + Termostato Kit Pont + Thermostat Bridge + Thermal Switch Kit Bruecke + Thermostat Kit Kit Puente + Termostato	980802
29	Spina Dinse Dx 25 Fiche Dix Dx 25 Dinse Plug Dx 25 Dinse Stecker Dx 25 Enchufe Dinse Dx 25	712039
60	Kit Diodi Kit Diodes Diode Kit Diode Kit Kit Diodo	981591
61	Condensatore Condensateur Condenser Kondensator Condensator	111332
62	Ta 1/300 Ta 1/300 Ta 1/300 Ta 1/300 Ta 1/300	152312
63	Trasformatore Impulsi Transformateur Pulsee Pulse Transformer Pulse Transformator Transformador Pulsado	152316
64	Kit Scheda Completa Kit Platine Complete Complete Control Pcb Kit Komplette Steuerrkarte Kit Kit Tarjeta De Control Completa	982054
65	Kit Igbt + Diodi Kit Igbt + Diodes Kit Igbt + Diodes Kit Igbt + Dioden Kit Igbt + Diodos	982051
66	Kit Ponte + Termostato Kit Pont + Thermostat Bridge + Thermal Switch Kit Bruecke + Thermostat Kit Kit Puente + Termostato	982052

**Schema elettrico, Schéma électrique, Diagram, Schaltplan, Esquema de conexiones.**

